

musicdock™



by ◀ **IKLH**

**OWNER'S MANUAL
MODEL: KE-8**

PRECAUTIONS

Please carefully read the following:

- When traveling abroad, the local power may be different from the U.S. standard. Carefully read the rating label located on the power adapter. If the locally available power is outside of the specified range for the adapter, plugging the adapter in could result in failure and possibly fire.
- Do not expose this product to temperatures above 95 degrees F (35 degrees C).
- Do not leave the unit in direct sunlight for long periods of time.
- Do not place the unit on or near a heater.
- Do not block air circulation around the unit.
- Protect the unit from dust, moisture and water.
- Clean the unit only with a damp cloth and mild soap. Do not use solvents or other cleaning products.
- There are no user serviceable parts inside. Refer all repairs to a qualified repair facility.
- At the end of the useful life of the product, remove batteries before discarding. Many locales prohibit disposing of electronic devices or batteries in the trash. Please be responsible, and follow all applicable local regulations when disposing of this or other electronic devices.

Getting Started

Thank you for purchasing the KE-8 system for your iPod. Designed specifically to work with your docking iPod, this system provides high quality audio and performance that brings out the best in your music.

The KE-8 can be powered by the supplied adapter or by four “AA” batteries. NOTE: When operating on battery power, the KE-8 will NOT charge your iPod. When operating on adapter power the KE-8 WILL charge docking iPods with the exception of the “iPod Shuffle and 3rd Generation iPods”.

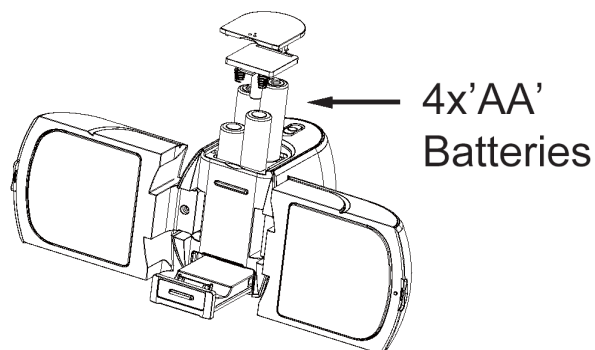
Batteries should be installed in the KE-8 only when portable operation is anticipated. Batteries should not be left in the KE-8 long term. When batteries are installed and the adapter is available, the KE-8 will take its power from the adapter.

The KE-8 uses highly efficient class D amplification and switch mode voltage regulation for exceptional sound quality and long battery life. At moderate volume, four fresh “AA” alkaline cells will provide approximately 8 hours of operation.

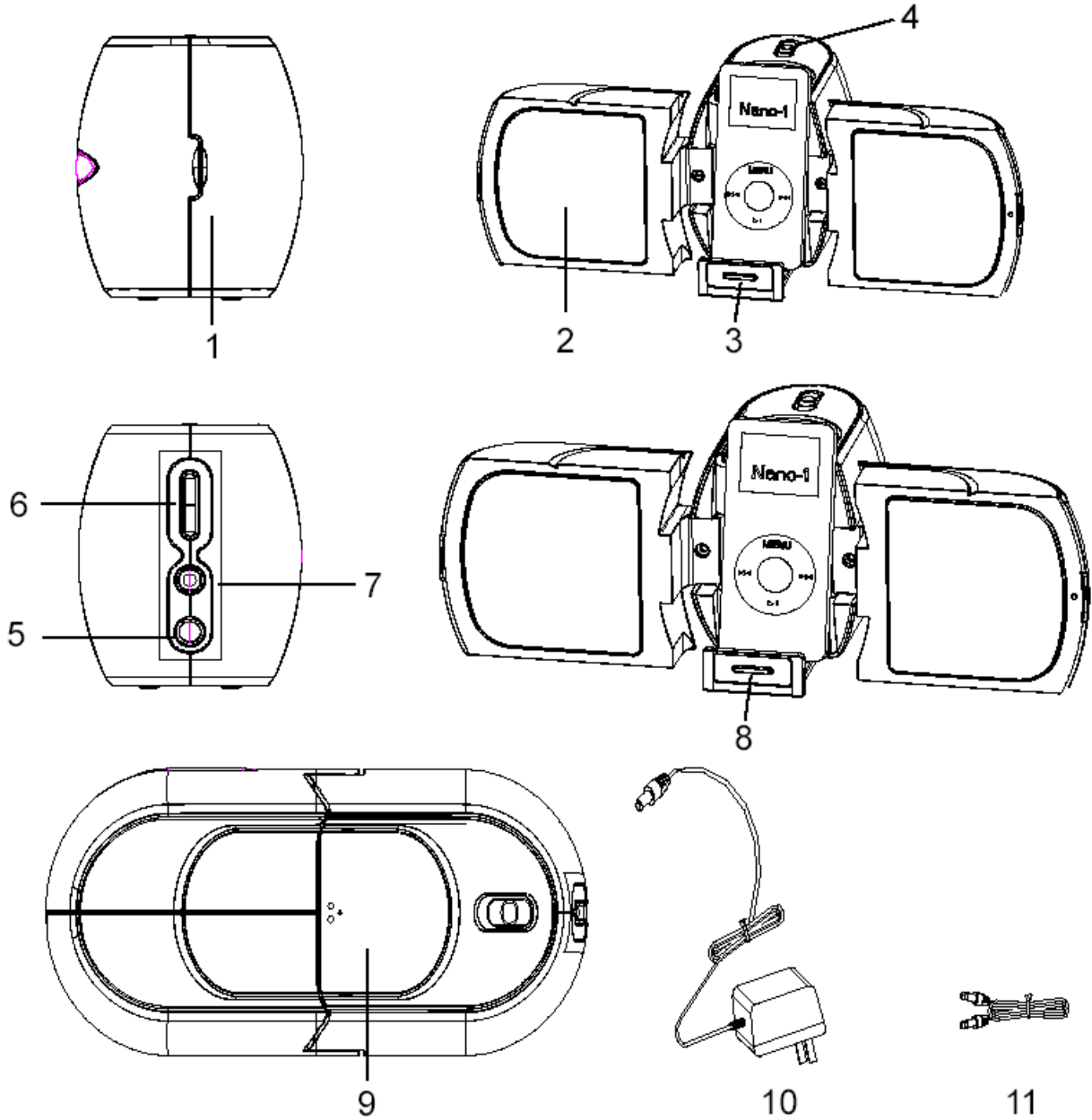
Rechargeable “AA” batteries can be used in the KE-8; however, the KE-8 will NOT charge them. Different battery chemistries have different charging requirements. Always use the correct charger for the batteries that you have.

Install or replace the batteries:

- Open the KE-8 by pressing on the friction latch and swinging the speakers outward. Remove the two battery compartment covers located on the top of the unit.
- Insert four “AA” cells as shown in the illustration below. Follow the polarity marks inside the battery area.
- Never mix fresh and used batteries. Always replace all four batteries with fresh ones.



Controls and Indicators



1. Open Speaker
2. Speaker
3. iPod Dock
4. Power On/Off

5. AC Adapter Jack
6. Volume Up/Down
7. Line-in Jack
8. Power LED

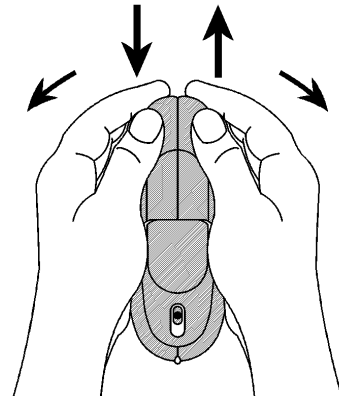
9. Battery Compartment
10. AC Adapter
11. Line-in Cord

Using the KE-8

To open the KE-8, grip the unit as shown. Press outward with the right hand and pull in with the left. Simultaneously, swing the speakers open and into the operating position.

If you are not using battery power, connect the adapter (10) to the power jack (5) and plug the adapter into a power outlet.

Turn on the power switch (4). Notice that the blue light (8) comes on.



Use your thumbnail to grip the underside of the iPod dock tray. Move it forward to the stop.

Mount your iPod on the KE-8 and initiate play using the controls on the iPod.

Increase the volume to the desired level by pressing the top portion of the volume control (6).

To turn the KE-8 off, slide the power switch (4) to the off position. Remember to turn off your iPod or any device connected to the line-in jack (7).

Charging your iPod

Note: Docking iPods will only be charged when the KE-8 is powered from the AC Adapter. (Except iPod Shuffle and 3rd Generation iPod)

Using the KE-8 with non-docking devices

The KE-8 can be used with any device that has a headphone output. Use the supplied interconnect cord (11) to connect the “Line in” jack (7) to the headphone output of the source that you wish to listen to through the KE-8.

Suitable sources are small TVs, laptop computers, generic MP3 players, non-docking iPods, portable CD players, and headphone radios.

Troubleshooting

Symptom	Possible Problem	Solution
No sound from the KE-8	No power to the system Source turned off or muted	Power switch not in the on position. Power adapter not plugged into the back of the KE-8. Power adapter not plugged into the wall outlet. Wall outlet not switched on. Test this by plugging a working lamp into the outlet. Bad or no batteries installed Check that source is on and playing.
Low volume	Volume misadjusted or inadequate recording level. Weak or dead batteries	Press the top of the volume button (6) to increase the volume. Redo the recording with higher level. If connected to a non-docking source, turn up the source's volume. Replace the batteries
Distorted sound	Weak or dead batteries Original recording may be distorted Battery in source may be low. iPod bass equalizer set too high	Replace the batteries in the KE-8 Check with headphones attached to the source. Check with headphones attached to the source. Reduce the setting on the iPod.
iPod does not charge	Unit operating on battery power iPod is very old	Insure that adapter is connected and plugged into a live outlet. 3G (third generation) iPods require higher charging voltage than the KE-8 supplies.

Specifications

Frequency range	100 Hz – 20 kHz
Power consumption	20 watts maximum
Power input	5.5V @ 1.2 amp DC 4 x AA batteries (Alkaline or NiMH)
Dimensions	
Length:	6.9 inches (175.5 mm)
Width:	2.6 inches (65.5 mm)
Height:	3.12 inches (80.5 mm)
Weight:	12 oz (0.34 kg)

Notes:

WARRANTY

ONE-YEAR NEW PRODUCT WARRANTY

VALID ONLY IN THE U.S.A. ON NON-REFURBISHED PRODUCTS

This **musicdock™** by KLH product is warranted to be free from defects in workmanship and materials under normal use and service for a period of one year from the date of original purchase. During the warranty period, KLH agrees to repair or replace defective components without charge to the original purchaser. To obtain service, the purchaser must return the component to KLH. The purchaser will pay all costs incurred in returning product to KLH. KLH assumes no risk until the product is accepted at our facility. Upon receipt and at its sole discretion, KLH will repair or replace defective component using new or refurbished parts. KLH agrees to return product to the purchaser prepaid, by the shipment method of its choice. Replaced components are warranted to be free from defects in workmanship and materials for the balance of the original product's warranty period based on the original purchase date.

To obtain service under this warranty, a legible **COPY** of the original dated purchase invoice must be included with the returned product. Do not send the original invoice.

The liability of KLH will be limited to the purchase price of the product, and KLH will not be liable for incidental or consequential damages. KLH limits its obligations under any implied warranties under state laws to a length of time not to exceed the warranty period. Some states do not allow limitations on the length of an implied warranty. Additionally, some states do not allow the exclusion or limitation of incidental or consequential damages. The above limitations or exclusions may not apply to you. This warranty gives you specific legal rights, and you may have other rights, which vary, from state to state.

**KLH Audio Systems
16250 Stagg St.
Van Nuys, CA 91406**

Customer service: (818) 767-2843 ext. 117